

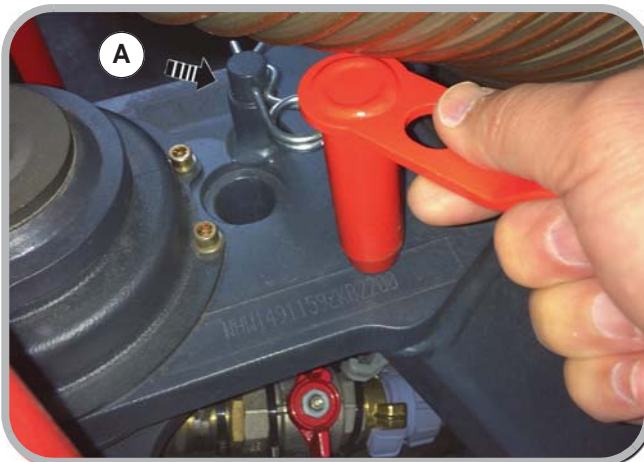
Short instructions for Citymaster 1650

Before start-up of the vehicle

	<p>Safety information</p> <p>These short instructions may be used only in conjunction with the original operating manual! All cross-references refer to the pages in the CM 1650 operating manual. Please observe the safety information in the operating manual, as from page 11! Information about special risks, as from page 16! The vehicle may be put into operation only by trained personnel!</p>
--	---

1. Removing the locking shackle Page 84

Caution: Risk of crushing!
 Hydraulic oil specification: HVLP 46
 Storage location: Bolt A with split pin



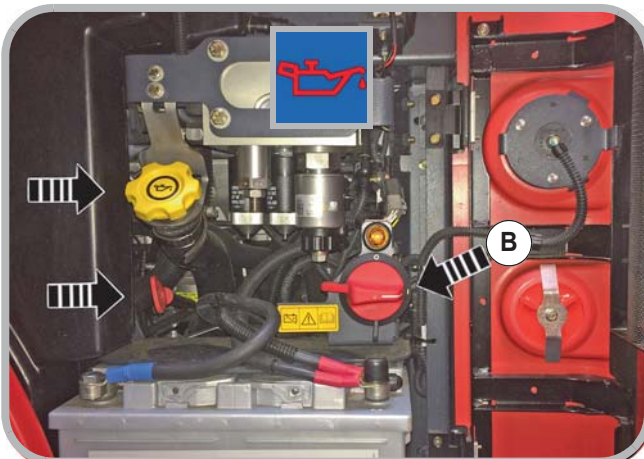
2. Checking the fuel supply Page 85

Caution: Risk of fire!
 Fuel specification: Diesel (EN 590)



3. Checking the engine oil level Page 85

Caution: Risk of scalding!
 Engine oil specification: ACEA E6 (Low SAPS)



4. Checking the hydraulic oil level Page 85

Caution: Risk of crushing!
 Hydraulic oil specification: HVLP 46



Note: Switch on the battery isolating switch (optional) **B**.

5. Checking the coolant level 📖 Page 86

Caution: Risk of scalding!

Coolant specification: ARAL (Aral Antifreeze silicate free)



6. Checking the tyre pressure 📖 Page 86

Standard tyres 225/70 R15C: front/rear: 5.0 bar



7. Checking the windscreen washer unit 📖 Page 86

Tank volume: approx. 2 litres



8. Checking the lighting 📖 Page 87



9. Checking the steering column, driver's seat and outside mirrors 📖 Page 87

Adjust the steering column, driver's seat and outside mirrors before driving!



Short instructions for Citymaster 1650

Driving with the Citymaster 1650

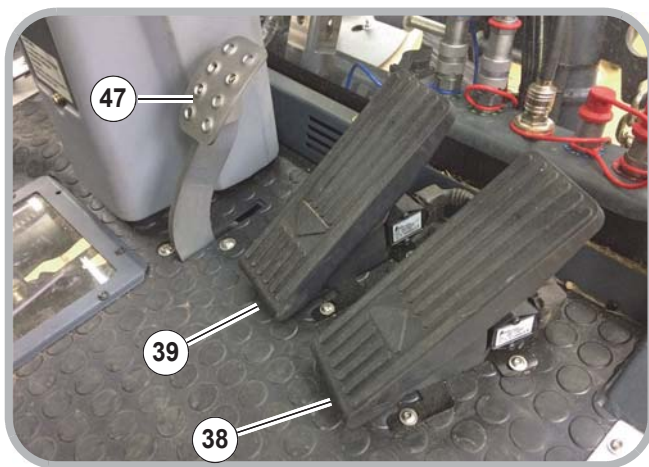


Safety information

These short instructions may be used only in conjunction with the original operating manual!
 All cross-references refer to the pages in the CM 1650 operating manual.
 Please observe the safety information in the operating manual, as from page 11!
 Information about special risks, as from page 16! The vehicle may be put into operation only by trained personnel!

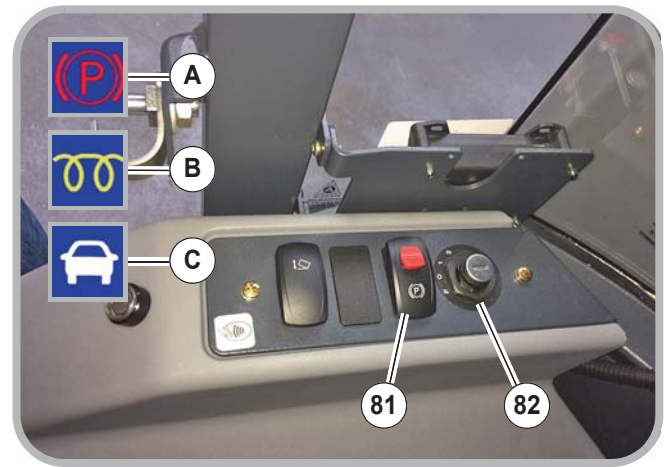
1. Preparing for driving Page 88

Move the accelerator pedals **38/39** to the neutral position.
 Actuate the brake pedal **47** or the parking brake **81**.
 Warning light **A** lights up. Fasten the seat belt!



2. Starting the engine Page 89

Use the ignition switch **82** to preheat the engine.
 Start the engine once the telltale **B** goes out.
 Observe the warning symbols! Page 48



3. Starting transport mode Page 90

Release the parking brake **81**. Warning light **A** off.
 Use the accelerator pedal **38/39** to select the driving direction.

4. Parking the vehicle Page 95

Move the accelerator pedal back to the neutral position.
 Lock the parking brake **81**. Warning light **A** on.

Working with the vacuum sweeping system

1. Installing the vacuum sweeping system Page 130

Further installation descriptions for attachments can be found in the operating manual for the CM 1650.

2. Topping up circulating water D Page 138

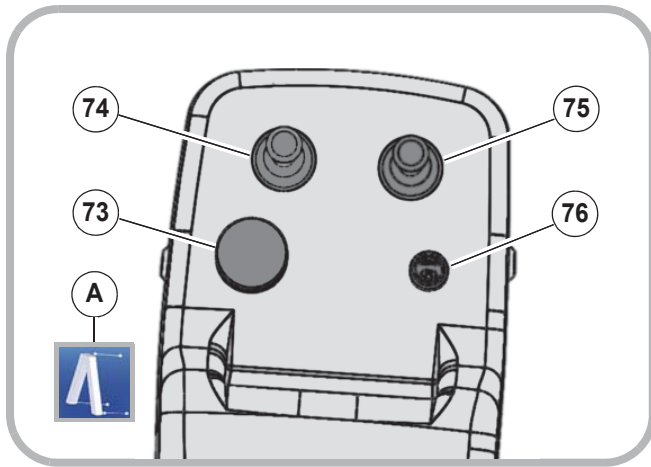
3. Topping up fresh water E Page 139



4. Switching vacuum sweeping on Page 141

Press the Hako button 76. All set sweeping functions are switched on.

Work mode information symbol A lights up.

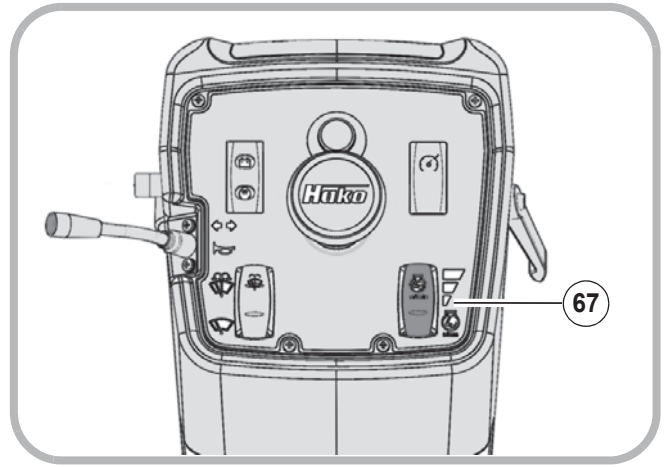


5. Selecting the engine fixed speed Page 142

Tip switch 67 stage 1: ECO – sweeping on the level.

Stage 2: Standard – sweeping on a medium slope.

Stage 3: Maximum – sweeping on a steep slope.

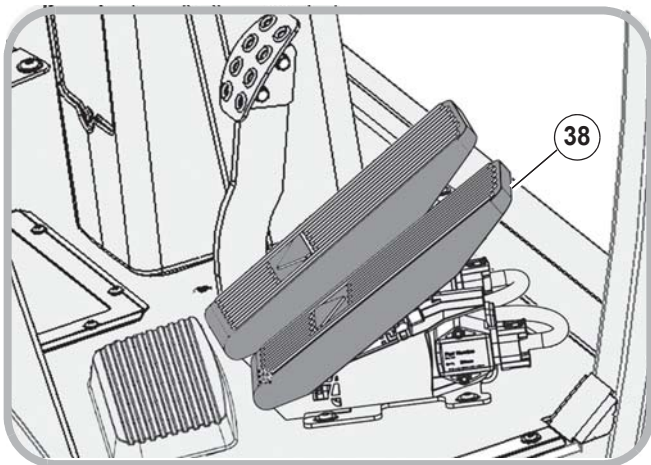


6. Starting vacuum sweeping Page 142

Slowly press down the accelerator pedal 38.

Vehicle speed depending on the engine fixed speed:

ECO = 16 km/h, standard = 20 km/h, maximum = 27 km/h

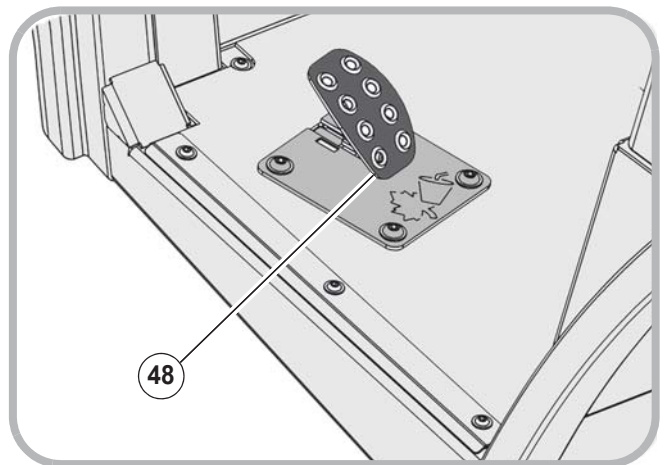


7. Sweeping larger objects Page 143

Press the pedal 48: The coarse material flap opens.

Move the pedal to the right: Pedal engages.

Move the pedal to the left: Pedal disengages.



8. Changing the sweeping width Page 143

Press the joystick 74: The left-hand rotating brush swivels.

Press the joystick 75: The right-hand rotating brush swivels.

9. Sweeping dry/wet surfaces Page 142

Circulating water is supplied to bind dust.

If necessary, switch on the fresh water pump.


Use the lever B to adjust the fresh water quantity.

10. Operating the multifunction display Page 34

The turn-push knob 73 is used to select menus and submenus and to set values.

Settings during vacuum sweeping:

Setting the rotating brush speed C  Page 152

Switching the fresh water pump on D  Page 153

Switching the suction fan on E  Page 153

